


ATM0802A

<p>Product photo:</p> 	Dimension:	40(L)x35.4(W)x12.8(H)
	V.A:	30.4(L)x13.8(W)
	Dotsize:	0.55x0.55
	Dotpitch:	3.35x5.15
	Controller/Driver	S6A0069
		5 x 7 with Cursor Dots
		1/16 Duty, 1/5 Bias, 8CHAR x 2LINE

OPTIONS FOR SERIES

PORLARIZER Type

- R=Reflective
- F=Transflective
- M=Transmissive, Positive
- N=Transmissive, Negative

BACKLIGHT TYPE

- L=LED backlight (array)
- S=LED backlight (side)
- E=EL backlight

TEMPERATURE

- S = 0~50 C
- W = -20 ~ 70 C

LCD PANEL

- T = TN type
- G = STN gray type
- Y = STN yellow-green type
- B = STN blue type
- F = FSTN type

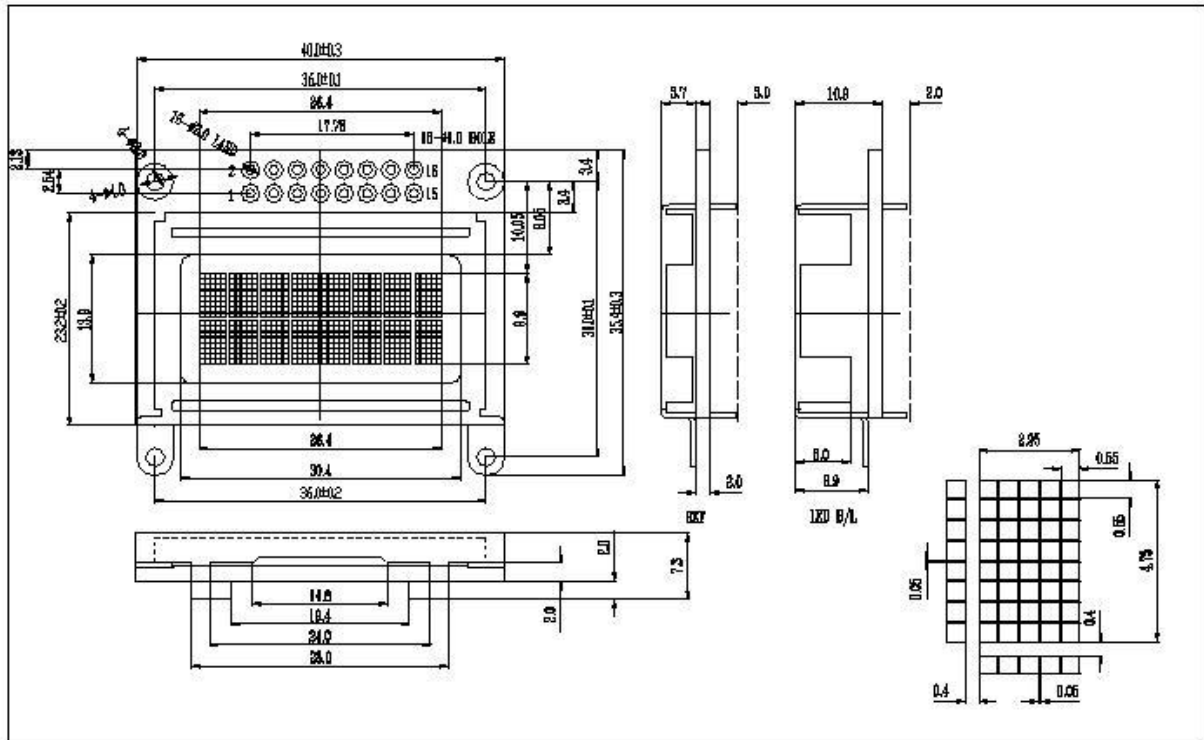
VIEWING ANGLE

- B=Bottom View (6:00)
- T=Top View (12:00)

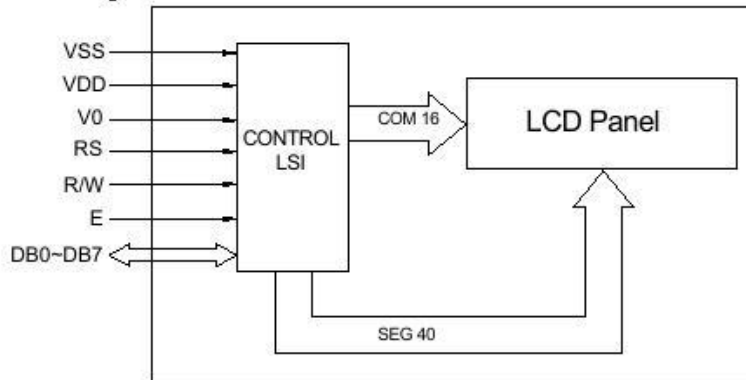
ATM0802A SERIES STANDARD CHARACTER LCD MODULES

- * 5 x 7 with Cursor Dots
- * View Angle (6:00)
- * 1/16 Duty, 1/5 Bias, 8CHAR x 2LINE
- * LED Backlight (Yellow green)
- * Transflective
- * STN (Yellow green)
- * Controller/Driver (S6A0069)
- * Operating Temp (0 ϕ ~50 ϕ)

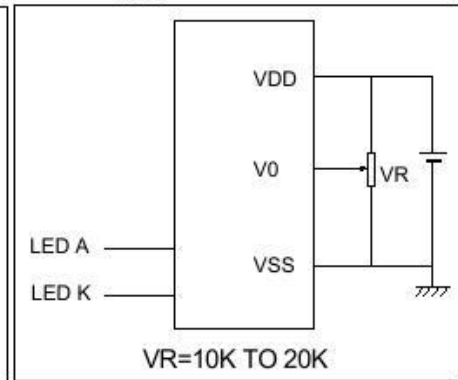
External Dimensions



Block Diagram



Power Supply



Mechanical Specifications

Electrical Specifications

Item	Description(mm)	Item	Symbol	Min	Typ	Max	Unit
Size	40(L)x35.4(W)x12.8(H)	Supply Voltage for Logic	VDD	4.5	5.0	5.5	V
V.A	30.4(L)x13.8(W)	Supply Voltage for LCD	VLCD	4.0	4.5	5.0	V
Character Pitch	3.35x5.15	Supply Current for Logic	IDD		0.8	2.0	mA
Dot Size	0.55x0.55	Supply Current for LED	IF			60	mA

Interface Signals---- J1

Pin	Symbol	Level	Description	Pin	Symbol	Level	Description
1	VSS	0V	Ground	7~14	DB0~DB7	H/L	Data Bus Line
2	VDD	+5V	Supply Voltage for Logic	15	A	--	Back Light anode:+4.2V
3	V0	--	Operating Voltage for LCD	16	K	--	Back Light cathode:0V
4	R/S	H/L	H: Data L: Instruction Code				
5	R/W	H/L	H: Data Read L: Data Write				
6	E	H,H-L	Enable Signal				